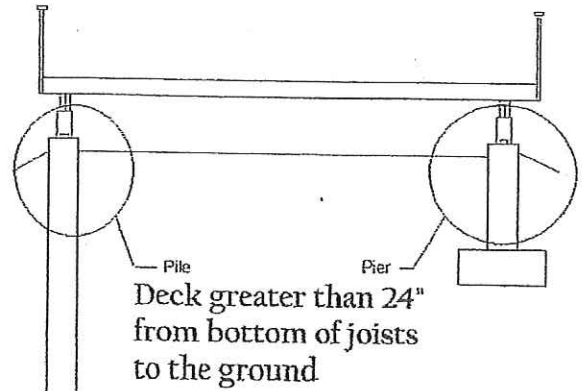


Deck Requirements Open without Roof or Cover

Submit:

1. Deck Form or drawings that include the following items below:

- Deck size all dimensions
- Post, spacing, type, size and material
- Beam material, size and plies
- Pile, pad or pier designs and spacing
- Joist material, size and spacing
- Railing type, height and details
- Decking material
- Height deck is off the ground
- Stair details rise and run



Foundations:

- 1) can be supported on deck blocks set on a 24" square pad of concrete or pressure treated wood on compacted gravel.
- 2) up to 5' high to top of deck posts may be 4x4 treated and shall be cross braced to prevent wracking.
- 3) from 5' up to 6' to top of deck the posts shall be treated 6x6 and shall be cross braced to prevent wracking.
- 4) access shall be provided to the underside of the deck for leveling if required.

Suggested Spans Beams, Joists and Cantilevers:

Type	2x6	2x8	2x10
Joist span 16" o/c	9'-4"	12'-4"	14'-6"
Joist span 24" o/c	8'-2"	10'-9"	13'-6"
Max Cantilever Joist	12"	16"	24"
2-ply beam span joist length 8'	6'-6"	8'-6"	10'-0"
2-ply beam span joist length 10'	6'-0"	8'-0"	9'-6"
2-ply beam span joist length 12'	5'-6"	7'-0"	8'-0"
3-ply beam span joist length 8'		10'-0"	13'-0"
3-ply beam span joist length 10'		9'-6"	11'-6"
3-ply beam span joist length 12'		8'-6"	10'-0"
Maximum Cantilever Beams	1'-0"	1'-6"	2'-0"